

# Astute Smart Controller



The Astute Smart Controller (ASC) is an energy monitoring, scheduling and control device with load management and automation capability. The CBI Home App enables the user to configure the ASC to react to current, voltage, time, power and many other variables or a combination thereof. The ASC can be used to remotely control pool pumps, lights, geysers, etc.



Wi-Fi enabled  
Scheduled energy management  
Energy monitoring  
Automation and IoT  
Device automation sharing  
CBI Home App and more



[www.cbi-lowvoltage.co.za/ASC](http://www.cbi-lowvoltage.co.za/ASC)

## Features

- ▶ Wi-Fi enabled (2.4 GHz only)
- ▶ Compact size
- ▶ Energy monitoring
- ▶ Energy control
- ▶ Application controlled (CBI Home App)
- ▶ Custom automation and custom scenarios
- ▶ Multiple ON / OFF programs
- ▶ Service life: 20 000 operations at full load
- ▶ Protective lift-up cover – sealable
- ▶ Manual ON / OFF switch (Power Button)
- ▶ Switched Live contact reduces wiring
- ▶ Dual mount: CBI Mini rail or DIN rail (remove escutcheon adaptor)
- ▶ Scheduling function - week / day / minute
- ▶ Return to last status options
- ▶ No hub required

## Requirements

- ▶ 2.4 GHz Wi-Fi with internet connection
- ▶ Smartphone or tablet

## Approvals

- ▶ SANS 60730-2-7
- ▶ ICASA

## Applications

- ▶ Automation and IoT
- ▶ Residential
- ▶ Commercial
- ▶ Light industrial
- ▶ Agriculture
- ▶ Home / office automation
- ▶ Security lights
- ▶ Office lights
- ▶ Illuminated signs
- ▶ Geyser
- ▶ Pool pump
- ▶ Underfloor heating
- ▶ And more



# Astute Smart Controller

## Technical Data

Parameter	Specification
Supply Voltage	230 V, 50 Hz ~, 1 Ph
Rated Current	30 A resistive 10 A inductive
Contact Life	20 000 cycles
Degree of Ingress Protection	IP40 when installed in the DB
Rated Impulse Voltage	4 kV
Terminal Size	16 mm <sup>2</sup>
Operating Temperature Range	-20 °C to +55 °C
Mounting Options	DIN rail & CBI Mini rail, 45 and 57 mm escutcheon cut-out (adaptor supplied, see outline dimensions)
Pollution Degree	2 - Normally only non-conductive pollution occurs
Programmable Period	Week, day, minute
Accuracy	Dependant on ISP
Ball Pressure Test	125 °C
Contact Type	Type1 C S T

## Ordering Information

Astute Smart Controller		
Product	Description	Order No.
ASC	Astute Smart Controller box	ASC
	Astute Smart Controller blister pack	ASC-BP

## CBI Home App Information

- ▶ Available on the App Store or on Google Play



- ▶ **Option 1:** Search for CBI Home on the App Store or on Google Play and install. See App icon below:



- ▶ **Option 2:** Scan the QR code below and select App Store or Google Play:



# Astute Smart Controller

## Installation

1. This device must be installed by a qualified electrician
2. Isolate supply before installing the ASC
3. Install the ASC on either mini rail or DIN rail (remove the escutcheon adaptor for DIN, see Figure 1)
4. Connect the ASC according to Figure 2 or 3. Observe markings for line and load terminals.
5. Download and install the CBI Home App from either the App Store or on Google Play
6. Follow pairing guide as indicated in the Instruction Manual ([www.cbi-lowvoltage.co.za/asc](http://www.cbi-lowvoltage.co.za/asc))

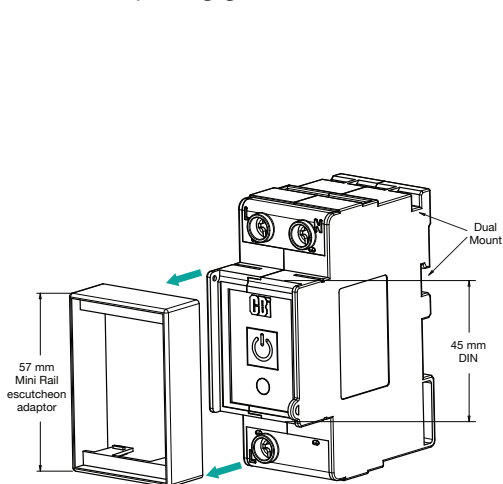


Figure 1: Escutcheon adaptor removal

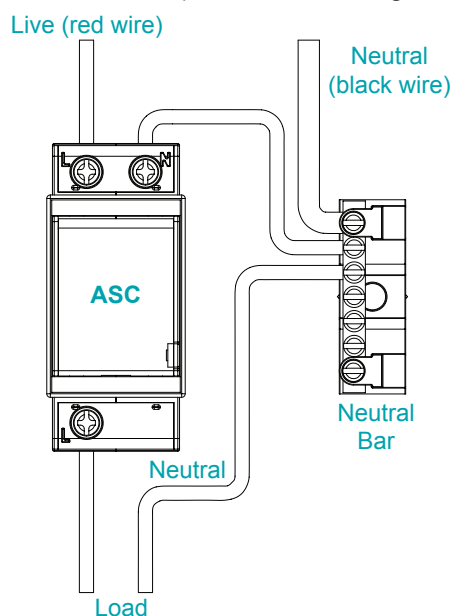


Figure 2: Distribution Board wiring

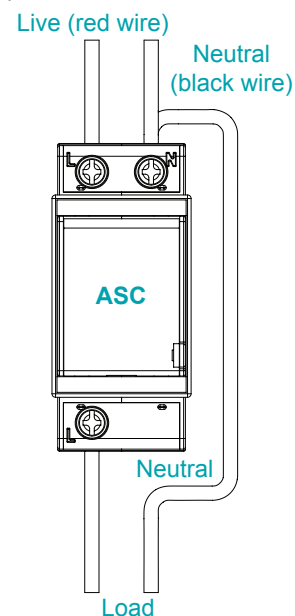


Figure 3: Stand alone wiring

## LED Status Information

Pair LED Status Indication						
Power (Red)	Wi-Fi (Blue)	Pair Mode	Output	LED Status		Comment
				RED (Switch output)	BLUE (Wi-Fi)	
OFF	*	*	*	OFF	OFF	No power
ON	*	UNPAIRED	OFF	ON	OFF	Not paired and / or no Wi-Fi
ON	*	ACTIVE	OFF	ON	ON FLASHING	Pairing Mode active
ON	ON	PAIRED	OFF	ON	ON	Successful connection to Wi-Fi and output OFF
ON	ON	PAIRED	ON	ON FLASHING	ON	Manual or App output ON
ON	*	UNPAIRED	ON	ON FLASHING	OFF	Manual ON only

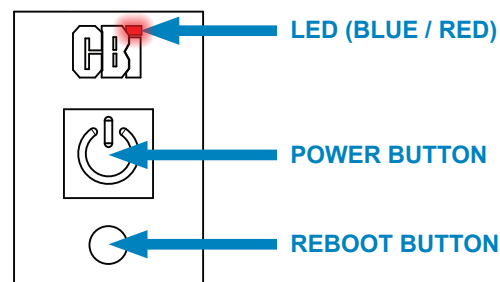
Note: the combined appearance of RED & BLUE LEDs might appear purple. It is recommended that when pairing devices a hand is placed over device to see the Blue flashing.

### Reboot Button

If needed, press and hold the reboot button for 1 second to reboot the ASC.

### Power Button

Power Button		
	Press Power Button and release after	LED Status
Manual Control	1 second	RED FLASH
Wi-Fi Pairing	5 seconds	BLUE FLASH

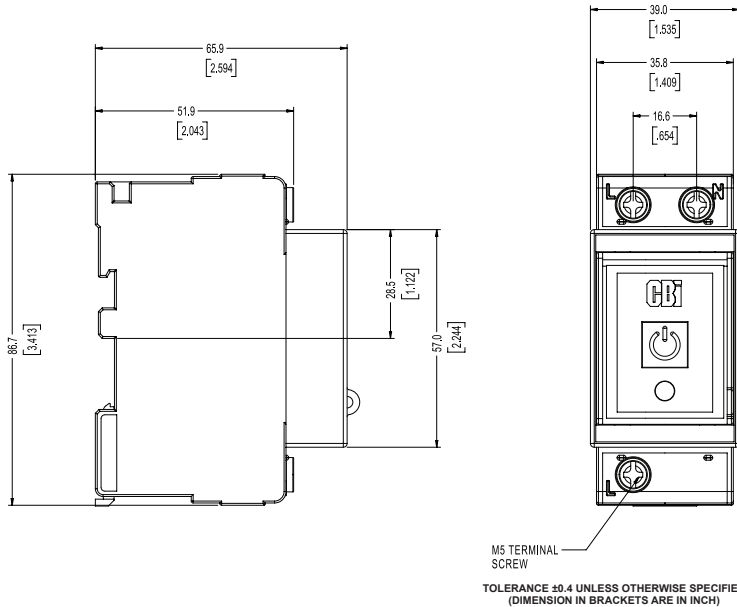


### Power Failure

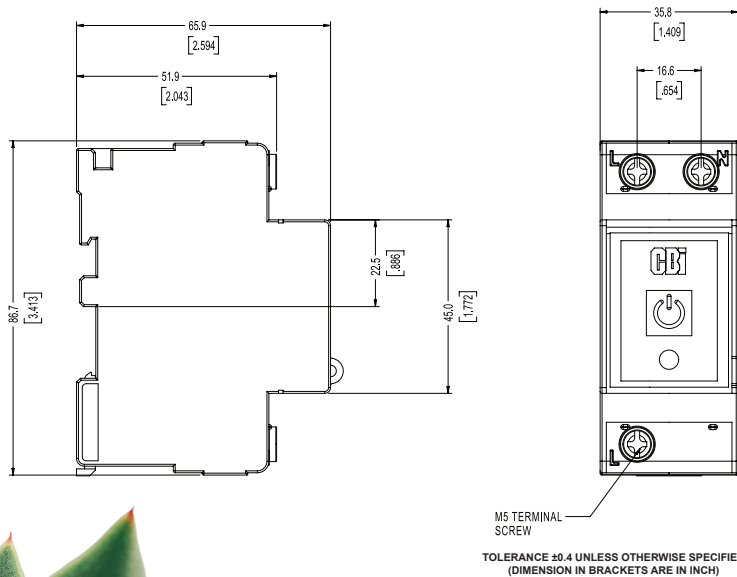
The unit will not operate during a power failure. The functions of the ASC will be re-established when power, a Wi-Fi and internet connection is restored.

Programming instructions are provided in the instruction manual supplied with each Astute Smart Controller and are also available online: [www.cbi-lowvoltage.co.za/ASC](http://www.cbi-lowvoltage.co.za/ASC)

## Outline Dimensions: Dual Mount



## Outline Dimensions: DIN Mount



Website



LinkedIn



Facebook



YouTube

### SOUTH AFRICA

**CBI-electric: low voltage**

Tripswitch Drive Elandsfontein

Gauteng South Africa

Tel: +27 11 928 2000

Email: [astute@cbi-electric.com](mailto:astute@cbi-electric.com)

Website: [www.cbi-lowvoltage.co.za](http://www.cbi-lowvoltage.co.za)

### AUSTRALIA

**CBI-electric: Australia**

27 Wedgewood Rd, Hallam

Victoria 3803 Australia

Tel: +61 3 8752 9300

Fax: +61 3 9796 5407

Email: [sales@cbi-electric.com.au](mailto:sales@cbi-electric.com.au)

Website: [www.cbi-electric.com.au](http://www.cbi-electric.com.au)

### USA

**CBI-electric: North America**

35 E. Uwchlan Ave Suite 328

Exton PA 19341 USA

Tel: +1 610 524 9949

Fax: +1 610 524 9945

E-mail: [info@cbibreakers.com](mailto:info@cbibreakers.com)

Website: [www.cbibreakers.com](http://www.cbibreakers.com)

### INDIA

**CBI-electric: Asia**

A1, Pushpagiri Residency, 1st Cross

2nd Main, Jyothi Nagar, B.G Road

Bengaluru 560083, India

Tel: +91-9880553153

Email: [salesasia@cbi-electric.com](mailto:salesasia@cbi-electric.com)

Website: [www.cbibreakers.com](http://www.cbibreakers.com)

Website: [www.cbi-lowvoltage.com](http://www.cbi-lowvoltage.com)

A member of the REUNERT Group

© 2023 CBI (Pty) Ltd. All Rights Reserved.

Please review our Customer Terms and Conditions on [www.cbi-lowvoltage.co.za](http://www.cbi-lowvoltage.co.za)  
All rights reserved. Unless otherwise indicated, all materials on these pages are copyrighted by CBI (Pty) Ltd. No part of these pages, either text or image may be used for any purpose other than personal use. Therefore, reproduction, modification, storage in a retrieval system or retransmission, in any form or by any means, electronic, mechanical or otherwise, for reasons other than personal use, is strictly prohibited without prior written permission. CBI (Pty) Ltd reserves the right to alter any details of this document without notice and while every effort is made to ensure the accuracy of the content, no warranty is given as to the accuracy of this document and no responsibility will be accepted for error or misinterpretation and any resulting loss.