

## Ready Boards



### Features

- Switches (light and socket outlets) have glow-in-the-dark fluorescent indications
- Knockouts for additional circuit breakers and/or auxiliary products
- NRBCON002 - 15 Access points for conduit or twin and earth wire
- NRBCON003/007 - 10 Access points for conduit or twin and earth wire
- Compatible with all prepayment meters
- Bulkhead light (NRBCON003/007)
- Earth leakage protection
- Mounting lugs
- SA and Euro switched sockets
- Meets national specifications
- Maximum 8 way
- Manufactured from ABS durable engineering plastic

### Applications

- Residential - garages, workshops, affordable housing, small holdings, extensions, outbuildings etc.
- Commercial
- Industrial

### Approvals

SANS 1619

### Technical Data

Product Type	NRBCON002	NRBCON003	NRBCON007
<b>Protection</b>	1 x QA17C 63 A 2 x QA-1(13) 20 A	1 x QA17C 63 A 2 x QA-1(13) 20 A	1 x QA17C 63 A 2 x QA-1(13) 20 A
<b>Switches (socket outlets)</b>	3 x Switched sockets 1 x Euro socket	3 x Switched sockets 1 x Euro socket	3 x Switched sockets 1 x Euro socket
<b>Bulkhead light*</b>	-	1 x Switched bulkhead	1 x Switched CFL bulkhead

### Ordering Information

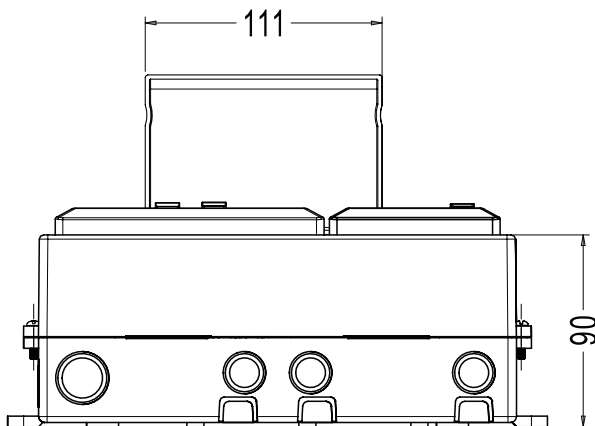
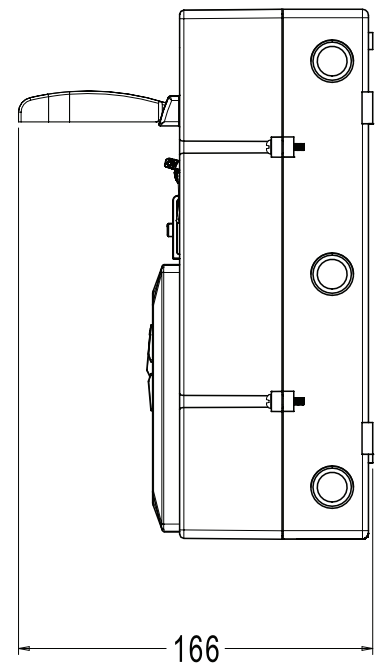
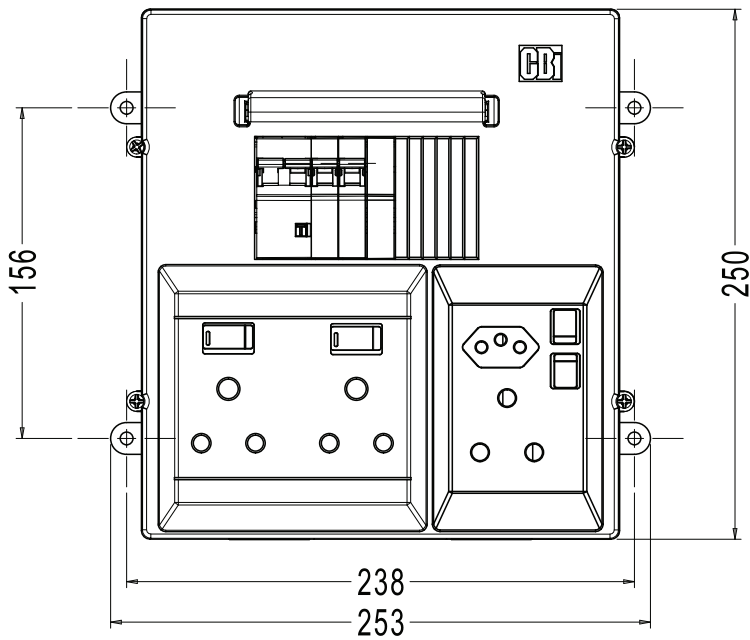
Ready Boards		
Description	Std. Pack	Order No.
1 x QA17C 63 A; 2 x QA-1(13) 20 A; 3 x Switched sockets; 1 x Euro socket	1	NRBCON002
1 x QA17C 63 A; 2 x QA-1(13) 20 A; 3 x Switched sockets; 1 x Euro socket; 1 x Switched bulkhead	1	NRBCON003*
1 x QA17C 63 A; 2 x QA-1(13) 20 A; 3 x Switched sockets; 1 x Euro socket; 1 x Switched CFL bulkhead	1	NRBCON007*

**Notes:** Ready Boards available in various circuit breaker variations.

\* Excluding Bulbs

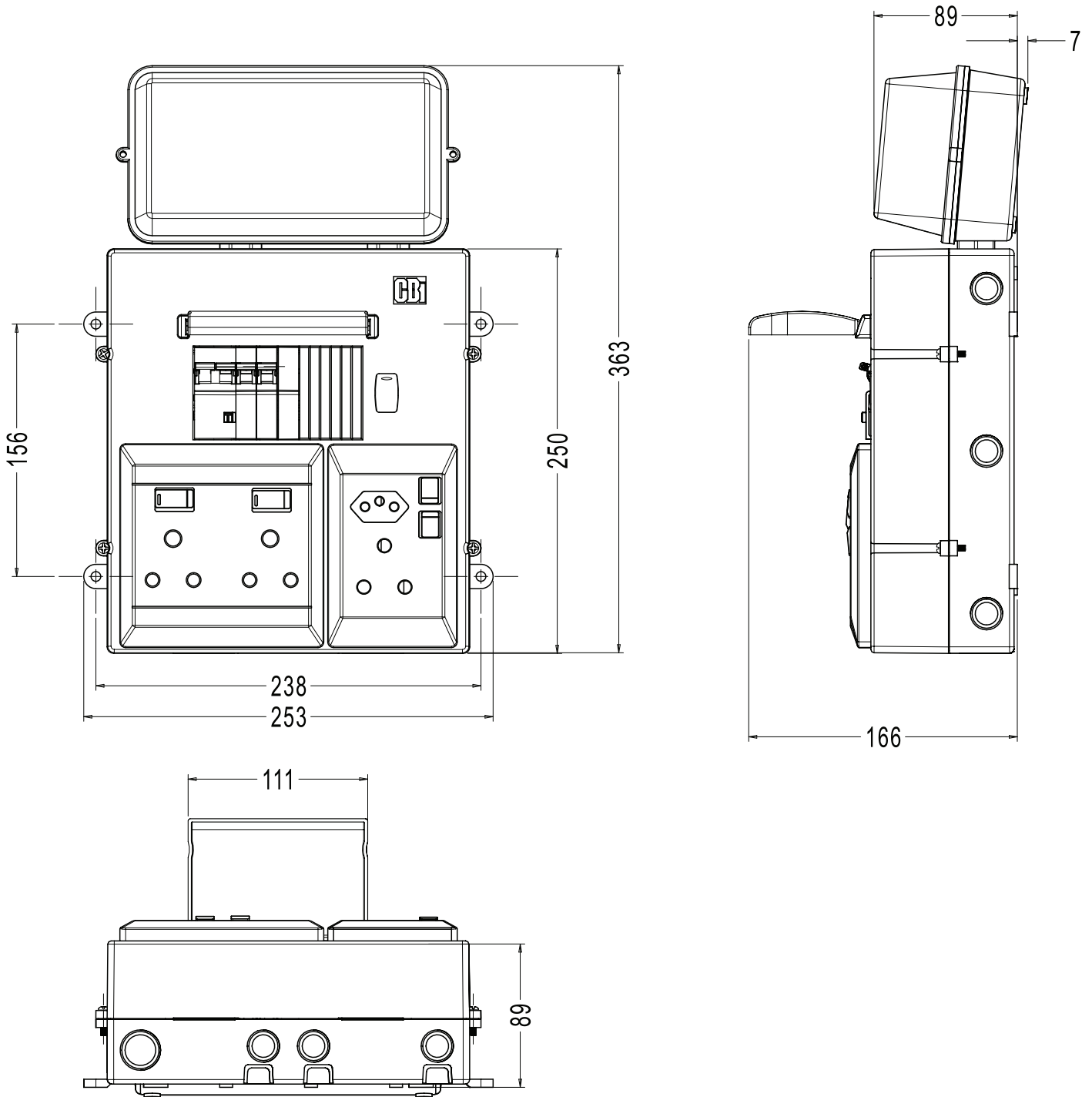
## Ready Boards

### Dimensional Drawing: Without Bulkhead (NRBCON002)



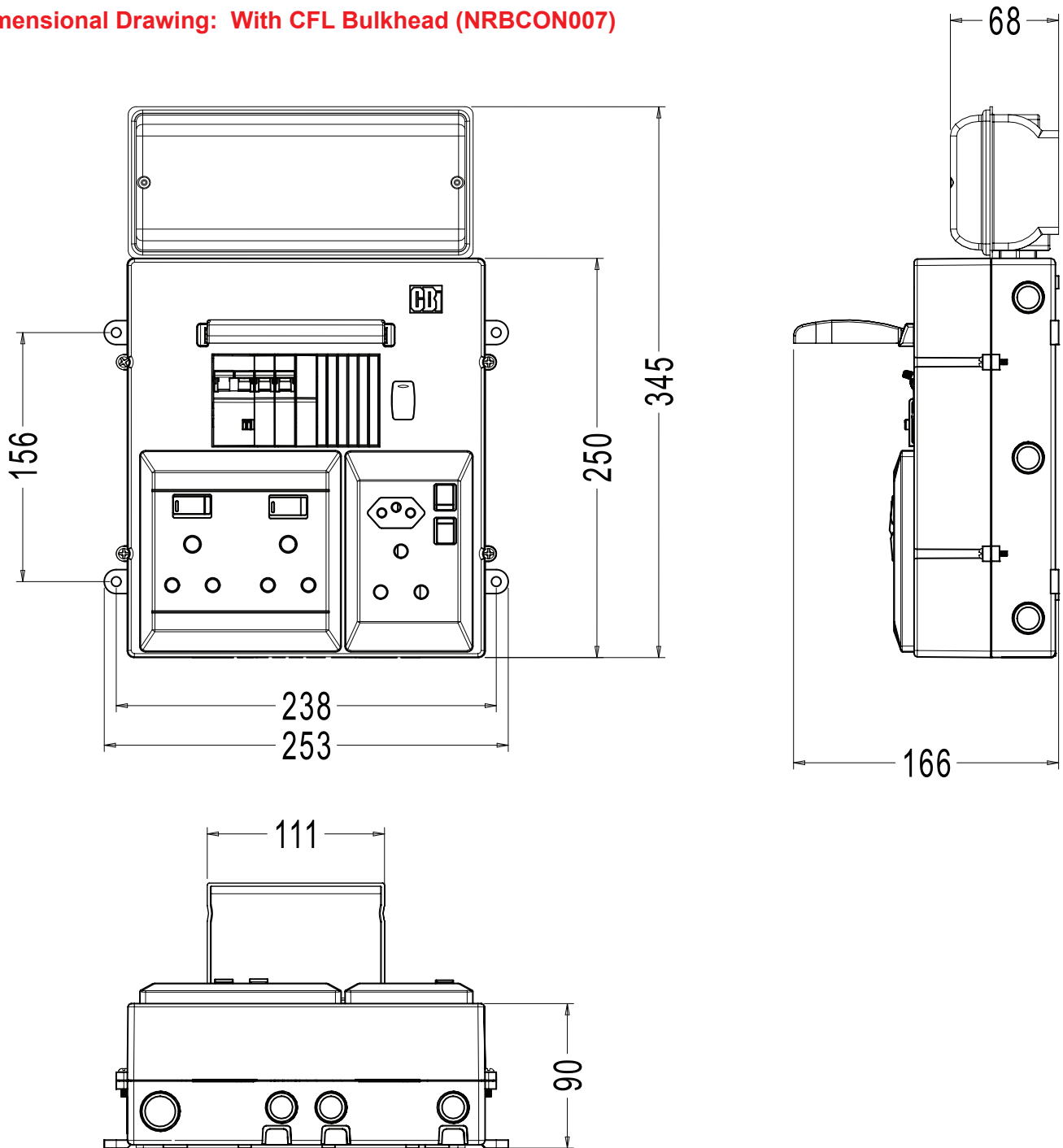
## Ready Boards

### Dimensional Drawing: With Bulkhead (NRBCON003)



## Ready Boards

### Dimensional Drawing: With CFL Bulkhead (NRBCON007)



Please review our Customer Terms and Conditions on [www.cbi-lowvoltage.co.za](http://www.cbi-lowvoltage.co.za)

All rights reserved. Unless otherwise indicated, all materials on these pages are copyrighted by CBI (Pty) Ltd. No part of these pages, either text or image may be used for any purpose other than personal use. Therefore, reproduction, modification, storage in a retrieval system or retransmission, in any form or by any means, electronic, mechanical or otherwise, for reasons other than personal use, is strictly prohibited without prior written permission. CBI (Pty) Ltd reserves the right to alter any details of this document without notice and while every effort is made to ensure the accuracy of the content, no warranty is given as to accuracy of this document and no responsibility will be accepted for error or misinterpretation and any resulting loss.

#### AUSTRALIA

**CBI-electric: Australia**  
27 Wedgewood Rd, Hallam  
Victoria 3803 Australia  
Tel: +61 3 8752 9300  
Fax: +61 3 9796 5407  
Email: [sales@cbi-electric.com.au](mailto:sales@cbi-electric.com.au)  
Website: [www.cbi-electric.com.au](http://www.cbi-electric.com.au)

#### INDIA

**CBI-electric: Asia**  
A1, Pushpagiri Residency, 1st Cross  
2nd Main, Jyothi Nagar, B.G Road  
Bengaluru 560083, India  
Tel: +91-9880553153  
Email: [salesasia@cbi-electric.com](mailto:salesasia@cbi-electric.com)  
Website: [www.cbibreakers.com](http://www.cbibreakers.com)  
Website: [www.cbi-lowvoltage.com](http://www.cbi-lowvoltage.com)

#### SOUTH AFRICA

**CBI-electric: low voltage**  
Tripswitch Drive Elandsfontein  
Gauteng South Africa  
Tel: +27 11 928 2000  
Fax: +27 11 392 2354  
Email: [cbi@cbi-electric.com](mailto:cbi@cbi-electric.com)  
[internationalsales@cbi-electric.com](mailto:internationalsales@cbi-electric.com)  
Website: [www.cbi-lowvoltage.co.za](http://www.cbi-lowvoltage.co.za)

#### USA

**CBI-electric: North America**  
35 E. Uwchlan Ave Suite 328  
Exton PA 19341 USA  
Tel: +1 610 524 9949  
Fax: +1 610 524 9945  
E-mail: [info@cbibreakers.com](mailto:info@cbibreakers.com)  
Website: [www.cbibreakers.com](http://www.cbibreakers.com)