



White

Silver Shimmer

# Wiring Accessories

Enhancing your lifestyle

Wiring Accessories

**Wiring Accessories Range**



L120-P / L121-P



L122-P / L123-P



L124-P



L125-P

Light Switches (2 x 4 - 250 Vac, 16 A, IP20)						WA
Order No.	Description	Price Ea. excl. VAT	Std. Pack	Order No.	Description	Price Ea. excl. VAT
L120-P	1 Lever 1 way light switch white	R 38.00	5	L120C03-T	1 Lever 1 way light switch silver shimmer	R 94.00
L121-P	1 Lever 2 way light switch white	R 43.00	5	L121C03-T	1 Lever 2 way light switch silver shimmer	R 99.00
L122-P	2 Lever 1 way light switch white	R 51.00	5	L122C03-T	2 Lever 1 way light switch silver shimmer	R 107.00
L123-P	2 Lever 2 way light switch white	R 67.00	5	L123C03-T	2 Lever 2 way light switch silver shimmer	R 123.00
L124-P	3 Lever 1 way light switch white	R 69.00	5	L124C03-T	3 Lever 1 way light switch silver shimmer	R 124.00
L125-P	4 Lever 1 way light switch white	R 78.00	5	L125C03-T	4 Lever 1 way light switch silver shimmer	R 136.00



L126-P



L127-P

Light Switches (4 x 4 - 250 Vac, 16 A, IP20)						WA
Order No.	Description	Price Ea. excl. VAT	Std. Pack	Order No.	Description	Price Ea. excl. VAT
L126-P	4 Lever 1 way light switch white	R 101.00	5	L126C03-T	4 Lever 1 way light switch silver shimmer	R 176.00
L127-P	6 Lever 1 way light switch white	R 128.00	5	L127C03-T	6 Lever 1 way light switch silver shimmer	R 203.00



G000-P



G001-P



G002-P



G003-P



G009-P



S013R-P

Blanking / Grid Plates 2 x 4						WA
Order No.	Description	Price Ea. excl. VAT	Std. Pack	Order No.	Description	Price Ea. excl. VAT
G000-P	2 x 4 Grid plate 1 Lever white	R 26.00	10	G000C03-T	2 x 4 Grid plate 1 Lever silver shimmer	R 81.00
G001-P	2 x 4 Grid plate 2 Lever white	R 26.00	10	G001C03-T	2 x 4 Grid plate 2 Lever silver shimmer	R 75.00
G002-P	2 x 4 Grid plate 3 Lever white	R 26.00	10	G002C03-T	2 x 4 Grid plate 3 Lever silver shimmer	R 75.00
G003-P	2 x 4 Grid plate 4 Lever white	R 26.00	10	G003C03-T	2 x 4 Grid plate 4 Lever silver shimmer	R 81.00
G009-P	2 x 4 Grid plate blank white	R 26.00	10	G009C03-T	2 x 4 Grid plate silver shimmer	R 77.00
S013R-P	2 x 4 Surround 2 piece top & bottom	R 11.00	10	N/A		



G004-P



G005-P



S014R-P



G010-P

Blanking / Grid Plates 4 x 4						WA
Order No.	Description	Price Ea. excl. VAT	Std. Pack	Order No.	Description	Price Ea. excl. VAT
G010-P	4 x 4 Grid plate blank white	R 30.00	10	G010C03-T	Blank silver shimmer	R 86.00
G004-P	4 x 4 Grid plate 1 Lever white	R 41.00	10	G006-P	4 x 4 Grid plate 3 Lever white	R 35.00
G005-P	4 x 4 Grid plate 2 Lever white	R 41.00	10	G007-P	4 x 4 Grid plate 4 Lever white	R 43.00
S014R-P	4 x 4 Surround 2 piece top & bottom	R 18.00	10	G008-P	4 x 4 Grid plate 6 Lever white	R 39.00

Should you require a special combination please contact CBI.

## Wiring Accessories Range



PS672-P



PS673-P



PS681-P



Switched Socket Outlets (2 x 4 - 250 Vac, 16 A, IP20)						WA
Order No.	Description	Price Ea. excl. VAT	Std. Pack	Order No.	Description	Price Ea. excl. VAT
PS672-P	Single switched socket outlet vertical standard white	R 78.00	5	PS672C03-T	Single switched socket outlet vertical silver shimmer	R 136.00
PS673-P	Single switched socket outlet standard horizontal white	R 78.00	5	PS673C03-T	Single switched socket outlet horizontal silver shimmer	R 136.00
PS681-P	SA/EU combined socket outlet vertical white	R 103.00	5	PS681C03-T	SA/EU combined socket outlet vertical silver shimmer	R 160.00



PS674R-P



PS675R-P



PS680-P



PS682R-P



PS683R-P



PS685USB-P



PS685USBC-P

Socket Outlets (4 x 4 - 250 Vac, 16 A, IP20)						WA
Order No.	Description	Price Ea. excl. VAT	Std. Pack	Order No.	Description	Price Ea. excl. VAT
PS674R-P	Single switched socket outlet white	R 94.00	5	PS674C03-T	Single switched socket outlet silver shimmer	R 169.00
PS675R-P	Double switched socket outlet white	R 128.00	5	PS675C03-T	Double switched socket outlet silver shimmer	R 203.00
PS680-P	SA/EU combined switched socket outlet white	R 128.00	5	PS680C03-T	SA/EU combined switched socket outlet silver shimmer	R 203.00
PS682R-P	6 Way Euro socket outlet	R 128.00	5	N/A		
PS683R-P	Single socket outlet with 3 x Euro sockets	R 188.00	5	N/A		
PS685USB-P	USB / SA / Euro switched socket outlet white	R 578.00	5	PS685USB C03-T	USB / SA / Euro switched socket outlet silver shimmer	R 687.00
PS685USBC-P	USB Type A & C / SA / Euro switched socket outlet white	R 578.00	5	N/A		



PS679-P

Unswitched Socket Outlet (250 Vac, 6 A, IP20)				WA
Order No.	Description	Std. Pack	Price Ea. excl. VAT	
PS679-P	Unswitched socket outlet round white	10	R 40.00	



PS671-P



PS676R-P



PS677R-P

Dedicated Switched Socket Outlet (250 Vac, 16 A, IP20)			WA
Order No.	Description	Std. Pack	Price Ea. excl. VAT
PS671-P	2 x 4 Single switched dedicated socket outlet horizontal red	5	R 100.00
PS676R-P	4 x 4 Single switched dedicated socket outlet red	5	R 144.00
PS677R-P	4 x 4 Double switched dedicated socket outlet red	5	R 195.00

**Wiring Accessories Range**



OB690



OB878

Surface Mount Outlet Boxes				WA
Order No.	Description	Std. Pack	Price Ea. excl. VAT	
OB690	Surface mount 2 x 4 outlet box (plastic)	10	R 26.00	
OB878	Surface mount 4 x 4 outlet box (plastic)	10	R 30.00	



I129-P / I131-P

Switch Disconnectors (4 x 4 - 2 and 3 Pole, 250 Vac, 60 A, IP20)						WA
Order No.	Description	Price Ea. excl. VAT	Std. Pack	Order No.	Description	Price Ea. excl. VAT
I129-P	Stove isolator 2P white	R 155.00	4	I129C03-T	Stove isolator 2P silver shimmer	R 230.00
I131-P	Stove isolator 3P white	R 306.00	4	I131C03-T	Stove isolator 3P silver shimmer	R 381.00



I130-P

Switch Disconnectors (2 x 4 - 2 Pole, 250 Vac, 30 A, IP20)						WA
Order No.	Description	Price Ea. excl. VAT	Std. Pack	Order No.	Description	Price Ea. excl. VAT
I130-P	Geyser isolator 2P white	R 136.00	5	I130C03-T	Geyser isolator 2P silver shimmer	R 191.00



TV678-P



B133-P



T686-P

TV & Telephone Socket Outlets and Bell Push (2 x 4 - 250 Vac, 16 A, IP20)						WA
Order No.	Description	Price Ea. excl. VAT	Std. Pack	Order No.	Description	Price Ea. excl. VAT
TV678-P	Single TV socket outlet white	R 145.00	5	TV678C03-T	Single TV socket outlet silver shimmer	R 201.00
B133-P	Bell push socket outlet white	R 64.00	5	B133C03-T	Bell push socket outlet silver shimmer	R 120.00
T686-P	Single telephone socket outlet (RJ11) white	R 124.00	5	T686C03-T	Single telephone socket outlet (RJ11) silver shimmer	R 180.00



NS-116



NS-216



NS-316



NS-416

Day / Night Switches				AB
Order No.	Description	Std. Pack	Price Ea. excl. VAT	
NS-116	Conduit entry model day / night switch	1	R 181.00	
NS-216	Bracket and cable day / night switch	1	R 185.00	
NS-316	Modular version day / night switch	1	R 185.00	
NS-416	Nema base connection version day / night switch*	1	R 185.00	

\* NS-416 does not come complete with the base

## Wiring Accessories Range



DI645-P



TI657-P



II662-P



TVI663-P



TVI664-P



Neon, TV, DSTV and Telephone Inserts						WA
Order No.	Description	Price Ea. excl. VAT	Std. Pack	Order No.	Description	Price Ea. excl. VAT
DI645-P	Data socket insert (RJ45)	R 123.00	20		N/A	
TI657-P	Telephone socket insert RJ11 white	R 101.00	20	TI657C03-T	Telephone socket insert RJ11 silver shimmer	R 116.00
II662-P	Indication light insert red	R 49.00	20		N/A	
TVI663-P	Standard TV connection insert white	R 116.00	20	TVI663C03-T	Standard TV connection insert silver shimmer	R 131.00
TVI664-P	DSTV connection insert white	R 115.00	20	TVI664C03-T	DSTV connection insert silver shimmer	R 129.00



LI659-P



LI660-P



LI661-P



LI662-P



LI663-P / II663-P



BI661-P

Switch Inserts (IP20)						WA
Order No.	Description	Price Ea. excl. VAT	Std. Pack	Order No.	Description	Price Ea. excl. VAT
LI659-P	Light switch insert 1 way 16 A white	R 21.00	20	LI659C03-T	Switch insert 1 way silver shimmer	R 35.00
LI660-P	Light switch insert 2 way 16 A white	R 29.00	20	LI660C03-T	Switch insert 2 way silver shimmer	R 43.00
LI661-P	Dimmer switch insert 16 A white	R 34.00	20	LI661C03-T	Dimmer switch insert 16 A silver shimmer	R 49.00
LI662-P	Blank switch insert white	R 6.00	20	LI662C03-T	Blank switch insert silver shimmer	R 21.00
LI663-P	2P switch insert 16 A white	R 59.00	20	LI663C03-T	2P switch insert 16 A silver shimmer	R 75.00
II663-P	2P switch insert 20 A white	R 81.00	20	II663C03-T	2P switch insert 20 A silver shimmer	R 97.00
LI664-P	Intermediate switch insert 16 A white	R 116.00	20	LI664C03-T	Intermediate switch insert 16 A silver shimmer	R 131.00
BI661-P	Bell push insert 4 A white	R 38.00	20	BI661C03-T	Bell push insert 4 A silver shimmer	R 53.00



D500LED-P



D500LEDC-P

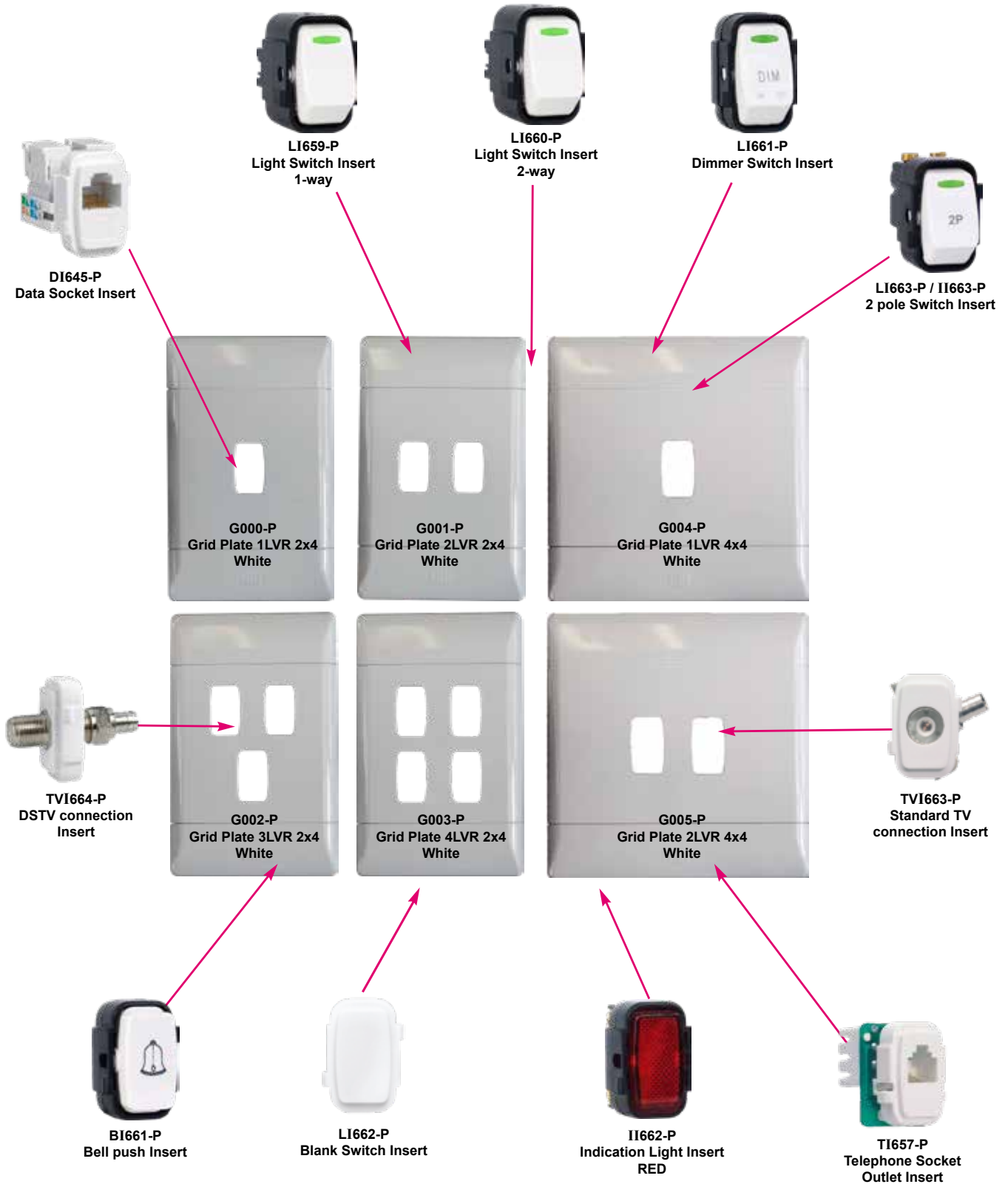
Tactile Dimmer Module (LED & Halogen Compatible)				WA
Order No.	Description	Std. Pack	Price Ea. excl. VAT	
D500LED-P	Dimmer module (250 Vac, 500 W)	1	R 596.00	
D500LEDC-P	Complete dimmer unit (G000-P, LI661-P, D500LED-P)	1	R 636.00	



**Wiring Accessories Range Grid Plate Selection Guide**

Switch to Flexibility...

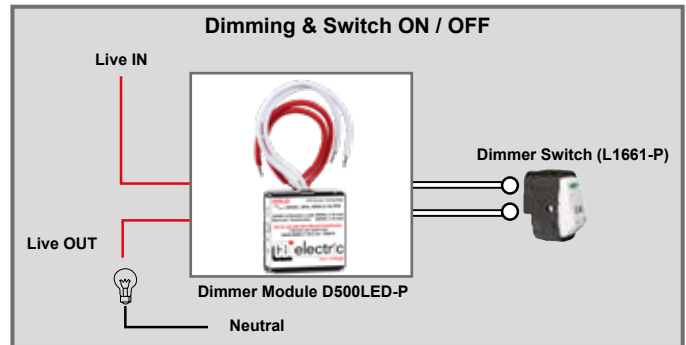
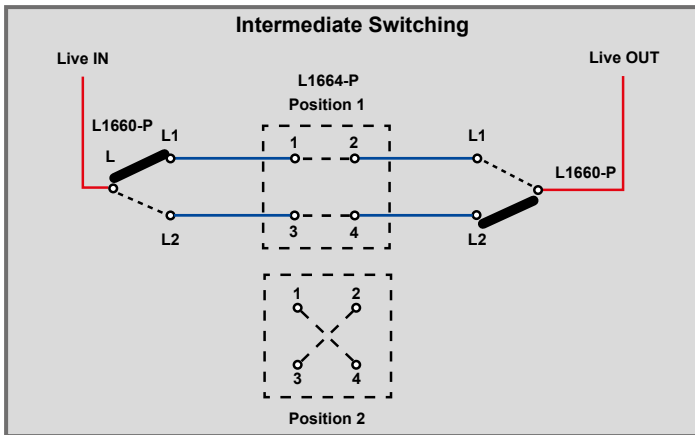
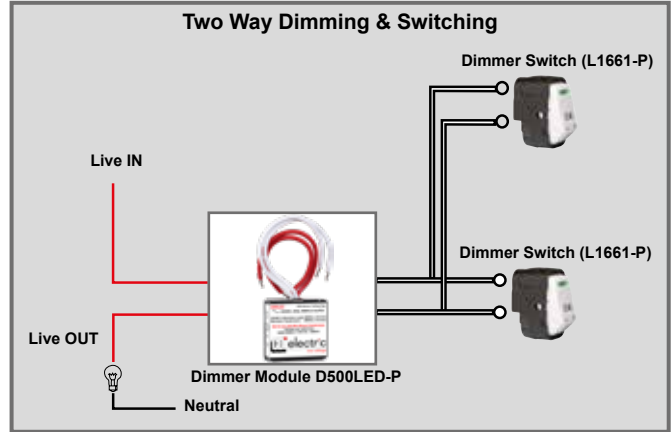
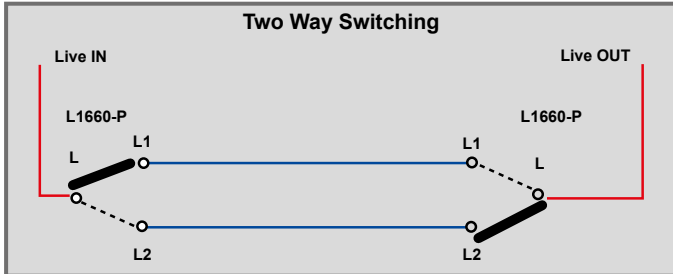
Wiring Accessories



Populate as needed starting from the grid plate as base

## D500LED-P Dimmer Trailing Edge

### Wiring diagrams



500 W Universal Dimmer (D500LED-P)		WA
<b>Load Tables</b>	<b>Minimum Load</b>	<b>Maximum Load</b>
12 V low voltage electronic transformer	3 W	500 W
230 Vac mains incandescent halogen		500 W
230 Vac mains LED lamps		500 "equivalent" W

**Notes:**

LED rating of load on dimmers:

Max Watts: Use max replacement wattage. E.g. 3 W LED = 40 W equivalent Watts